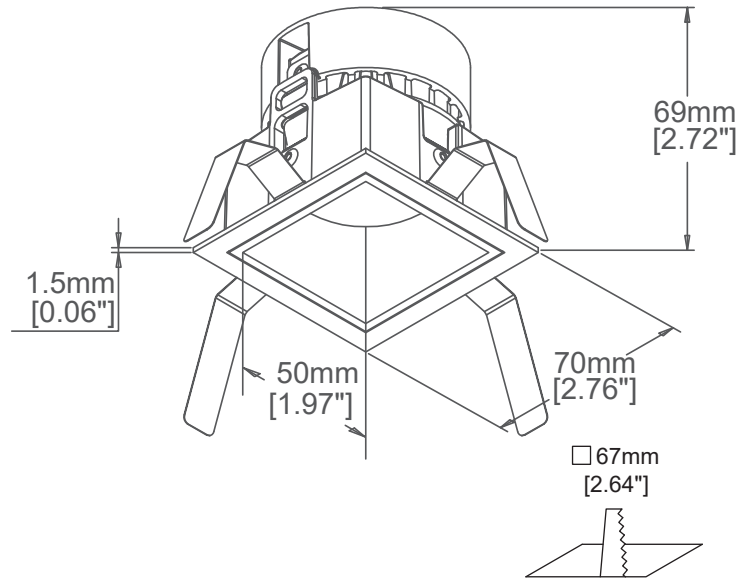


Specification sheet

REV.4

Lithe 55, Colour Square

1.9" Architectural Downlight



Description

Lithe 55 is a 1.9 inch (46 mm) aperture recessed downlight that delivers up to 500 lm. Shallow construction (less than 2.8 inch, 70 mm) enables installation in limited ceiling space. Deep-regressed LED and trim effectively subdues glare and translates to exceptional visual experiences. Precision optics delivers outstanding efficiency and beam quality. All aluminum construction ensures optimal thermal performance and build quality. Lithe 55 comes with a range of options including round and square, five trim colors, three beam angles, and wall wash.

Features

LED	Lumileds Luxeon M LED Array
Color temperature	2700K/ 3000K/ 3500K/ 4000K
Optics	Spot 15° / Medium 25° / Wide 40°
Trim Finishes	Black / White / Blue / Glod / Haze
Ceiling Cutout	67mm X 67mm [2.64" X 2.64"]

Performance

Delivered output	Up to 600 lm (80+ CRI) Up to 500 lm (90+ CRI)
Power consumption	Up to 8 W
Color rendering	90+ CRI (80 CRI+ optional)
Color consistency	3 SDCM
CBCP	Spot 2558cd/ Medium 1065cd/ Wide 755cd

Electrical and Control

Input voltage	See the ordering code
Control	TRIAC/ELV or 0-10V dimming
Feature	Overload & short circuit protection

Construction

Material	Machining grade Aluminum
Trim shape	Square
Lens	Interchangeable TIR optics

Rating/ Certification/ Warranty

- Dry and damp Locations
- RoHS compliant
- 5 years/ L70 50,000 hrs warranty
- UL Listed

Ordering Code Information

PRODUCT	TRIM STYLE	LUMEN	COLOR TEMPERATURE	FINISH	BEAM ANGLE	COLOR RENDERING
LTE55	S	06	27	WH	S	9
LTE55 Lithe55 colour LED Downlight	R Round S square	06 600lm	27 (2700K) 30 (3000K) 35 (3500K) 40 (4000K)	WH(White) WHBK(White/Black) WHBL(White/Dark Blue) WHGD(White/Gold) WHHZ (White/ Haze)	S (Spot)/15deg. M (Medium)/25 deg. W (Wide)/40deg.	8 (80+ CRI) 9 (90+ CRI)

Photometrics

MULTIPLYING FACTORS: (Multiplying Factor is based on 3000K-90+CRI IES file on website)

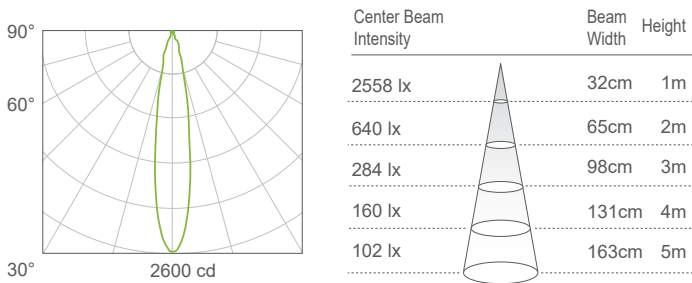
CCT	2700K-80+	3000K-80+	3500K-80+	4000K-80+
Factors	1.12	1.2	1.22	1.27

CCT	2700K-90+	3000K-90+
Factors	0.94	1.0

8W | 90CRI | 3000K

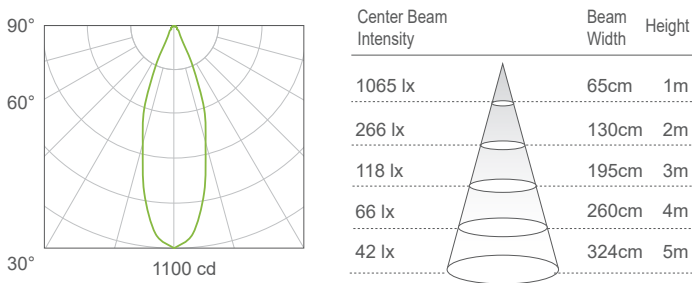
Spot 15°

Delivered Ourput : 475 lm | CBCP : 2558 cd | Beam Angle : 18°



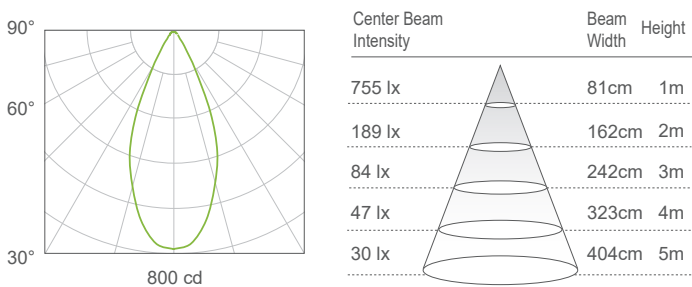
Medium 25°

Delivered Ourput : 487 lm | CBCP : 1065 cd | Beam Angle : 35°



Wide 40°

Delivered Ourput : 469 lm | CBCP : 755 cd | Beam Angle : 44°



Recommend LED Driver:

<u>Driver No.</u>	<u>Input Voltage</u>	<u>Dimming</u>	<u>Note</u>
DE-1-700-10	120V	TRIAC/ELV	
DE-1-900-10	120V	TRIAC/ELV	Consult Facto
DE-4-700-10	220-240V	TRIAC/ELV	
DE-4-900-10	220-240V	TRIAC/ELV	Consult Facto
DA-3-700-10	120-277V	0-10V DIMMING	